



Cabinet Closes with One Hand Even When Loaded to 400 lb. Capacity.

Cabinet Installs in Modular Sections.

Rear Wall Easily Configured to Accept 19" Panels, 110 Blocks, A/V Splitters, and More.

#### FEATURES

- Adjustable rails from front to rear - notched for easy location.
- Dedicated bonding points speed grounding.
- Specifically designed to mount to plywood backboards, steel and wood studded walls, cinder block and concrete walls.
- Vented Sides for active equipment with optional filters.
- Structured cable routing between front and rear sections.
- Eccentric knockouts.
- Simplify conduit connection.

#### SPECIFICATIONS

- ◆ 400 lb. load capacity.
- ◆ Material:
  - Rear section, center section: 14ga. cold rolled steel.
  - Top/bottom hinge cover panel: 11 ga. cold rolled steel.
  - Front door: 18 ga. cold rolled steel.
  - Hinged mounting plates (rear door): 11 ga. cold rolled steel.
- ◆ Finish: painted black.
- ◆ 19" rack-style rails tapped #12-24.
- ◆ 19" rack mounting width per EIA-310-D.
- ◆ Grounding provisions per TIA-607.
- ◆ Acrylic window tinted smoke gray.
- ◆ 16" stud mounting.
- ◆ Front door and rear locks both keyed alike with key #CH751.
- ◆ Wall mounting hardware is 3/8" or #8 screws.

#### APPROVALS/INSTALLATION

- UL 1863 Listed.

#### APPLICATIONS

- ▲ Equipment rooms and telecommunications closets.
- ▲ Process plants and control facilities.
- ▲ Campus LANs and network backbones.
- ▲ Data Centers.

## HUBBELL QuadCab Wall Mount Enclosure



Hubbell's unique QUADCAB® wall mount enclosures are designed with special high-strength hinges and a removable rear cabinet section to provide fast, easy wall mounting in the field. Also, the rear section of the enclosure can be custom configured for a wide variety of equipment mounting brackets and accessories. Patented eccentric knockouts virtually eliminate conduit bending, and additional knockouts are provided for metal and plastic raceway.

QUADCAB® wall mount cabinets provide the installer with superior features for quick and easy installation and equipment accessibility. A mobile base accessory is also available for floor mount installations.

**QUADCAB® Wall Mount Cabinets**

**Order Information**

- Delivery:
- 1 Rear section (arrives disassembled facilitating installation)
  - 1 Front door
  - 2 19" mounting angles
  - 1 Center section with 2 CH751 locks
  - 2 Top/bottom cover plates
  - 2 Hinge pins
  - 2 Security cotter pins



| Height | Rack Units | Depth | Door Style | Color* | Catalog No.     |
|--------|------------|-------|------------|--------|-----------------|
| 24"    | 12         | 20"   | Window     | Black  | <b>HSQ24</b>    |
| 24"    | 12         | 26"   | Window     | Black  | <b>HSQ2426</b>  |
| 24"    | 12         | 36"   | Window     | Black  | <b>HSQ2436</b>  |
| 24"    | 12         | 20"   | Solid      | Black  | <b>HSQ24S</b>   |
| 24"    | 12         | 26"   | Solid      | Black  | <b>HSQ24S26</b> |
| 24"    | 12         | 36"   | Solid      | Black  | <b>HSQ24S36</b> |

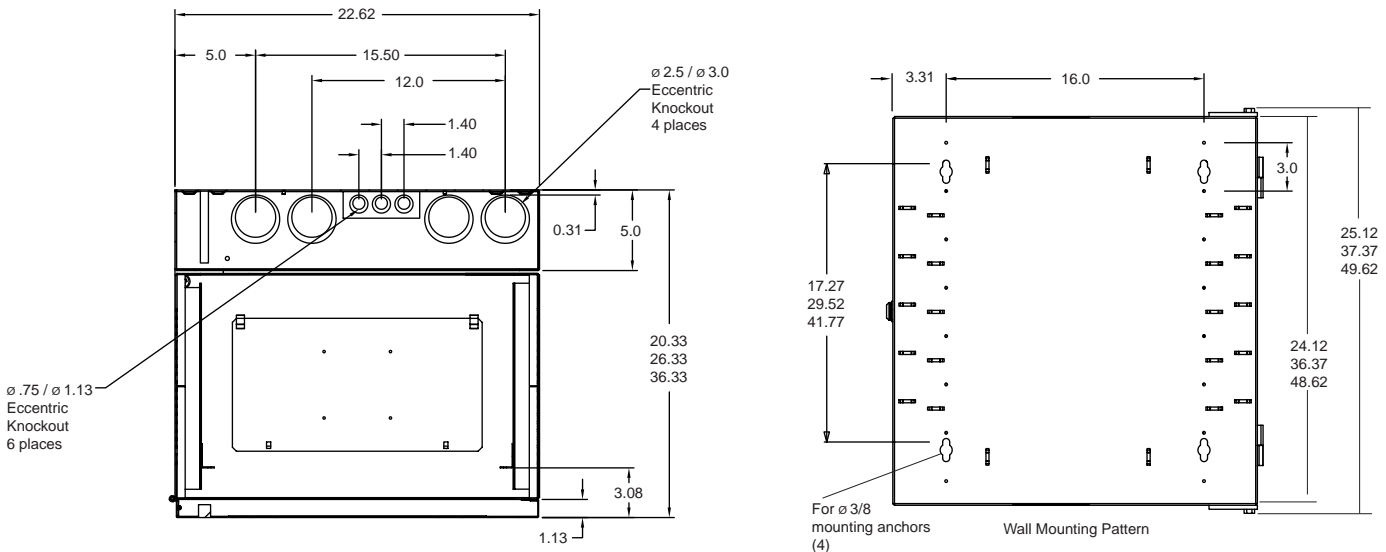
| Height | Rack Units | Depth | Door Style | Color* | Catalog No.     |
|--------|------------|-------|------------|--------|-----------------|
| 36"    | 19         | 20"   | Window     | Black  | <b>HSQ36</b>    |
| 36"    | 19         | 26"   | Window     | Black  | <b>HSQ3626</b>  |
| 36"    | 19         | 36"   | Window     | Black  | <b>HSQ3636</b>  |
| 36"    | 19         | 20"   | Solid      | Black  | <b>HSQ36S</b>   |
| 36"    | 19         | 26"   | Solid      | Black  | <b>HSQ36S26</b> |
| 36"    | 19         | 36"   | Solid      | Black  | <b>HSQ36S36</b> |

| Height | Rack Units | Depth | Door Style | Color* | Catalog No.     |
|--------|------------|-------|------------|--------|-----------------|
| 48"    | 26         | 20"   | Window     | Black  | <b>HSQ48</b>    |
| 48"    | 26         | 26"   | Window     | Black  | <b>HSQ4826</b>  |
| 48"    | 26         | 36"   | Window     | Black  | <b>HSQ4836</b>  |
| 48"    | 26         | 20"   | Solid      | Black  | <b>HSQ48S</b>   |
| 48"    | 26         | 26"   | Solid      | Black  | <b>HSQ48S26</b> |
| 48"    | 26         | 36"   | Solid      | Black  | <b>HSQ48S36</b> |

\* For Office White, add "W" to the end of the Catalog No.

**DIMENSIONS**



**Hubbell Premise Wiring**  
 HUBBELL INCORPORATED (Delaware)  
 14 Lord's Hill Road • Stonington, CT 06378-0901 • (860) 535-8326 • 800-626-0005  
 Fax: (860) 535-8328 • Internet site: <http://www.hubbell-premise.com>

**DS-M42 08/05**

**Worldwide Locations**

Hubbell Premise Wiring, Asia Pacific  
 Hubbell Canada Inc.  
 Hubbell Premise Wiring, Central America  
 Hubbell Premise Wiring, China  
 Hubbell Premise Wiring, Colombia  
 Hubbell Premise Wiring, Europe  
 Hubbell Int'l. Inc., Korea Branch

852-2836-7131 Fax: 852-2836-7132  
 905-839-1138 Fax: 905-839-9108  
 506-309-4158 Fax: 506-260-1616  
 8621-6309-0119 Fax: 8621-6309-0122  
 571-245-8940 Fax: 571-340-0925  
 44-01283 500500 Fax: 44-01283 500400  
 82-2-(0)2607-1363 Fax: 82-2-(0)2603-7386

Hubbell Premise Wiring, Latin America  
 Hubbell de Mexico, S.A. de C.V.  
 Hubbell Premise Wiring, Middle East  
 Hubbell-Taian Co., Ltd., Taiwan  
 Hubbell Premise Wiring, Turkey  
 Hubbell Premise Wiring, Venezuela

305-408-4501 Fax: 305-408-8201  
 (5255) 9151-9999 Fax: (5255) 9151-9989  
 971-4-393-4192 Fax: 971-4-393-4194  
 886-2-2522-1862 Fax: 886-2-2522-1872  
 90-216-313-5016 Fax: 90-216-414-8148  
 58-416-680-7453 Fax: 58-281-274-7900